

应用范围

适用于输送清洁、不含固体物质或摩擦性物质、不粘稠、无腐蚀性、不结晶、化学中性，性能接近于水的液体。例如：

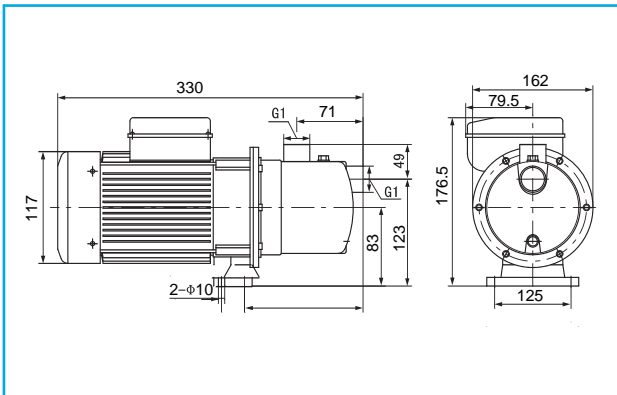
- 蓄水池蓄水
- 家庭供水系统
- 输水系统
- 增压系统

Scope of application

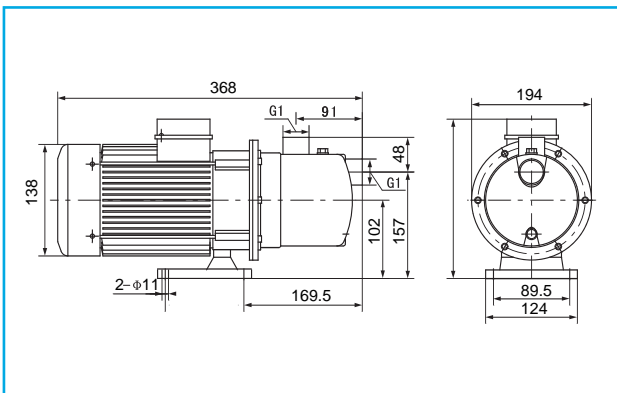
Applied to pumping such liquid which is clean, no solid matter or frictional matter, low viscous, noncorrosive, non-crystallizable, chemically neutral and close to water. Such as:

- Tank filling
- Domestic water supply
- Water transfer
- Pressure boosting

外形及安装尺寸 (μç»ú!ÁÊ0.37KW
Outline and installation dimension (equipped with single-phase motor)



外形及安装尺寸 (μç»ú!ÁÊ0.55/0.75/1.1KW)
Outline and installation dimension (equipped with three-phase motor)



特点

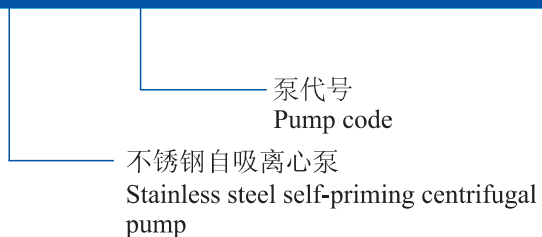
- 自吸式射流离心泵，出水压高，自吸性能好；
- 泵体及叶轮等采用不锈钢材料，射流器采用高强度耐磨塑料制造，抽吸不同的水质具有较长的使用寿命；
- 采用风冷式防尘电机，内置过热过载保护装置，操作安全可靠；
- 自带螺纹接头，快捷简易安装；
- 结构紧凑，活动部件少，坚固耐用且易于维护及维修。

Features

- Self-priming jet assisted centrifugal pump provides higher pressure and good suction ability.
- Pump body and impeller and so on made of stainless steel, ejector made of plastics with high intensity and abrasion proof.
- TEFC motor corrosion resistant and excludes dust and dirt. Protected against both high operating temperature and high current by a built-in automatically resetting thermal overload.
- Used screwed suction and discharge, quick and easy installation.
- Low maintenance, easy to service if required.

JET - 45

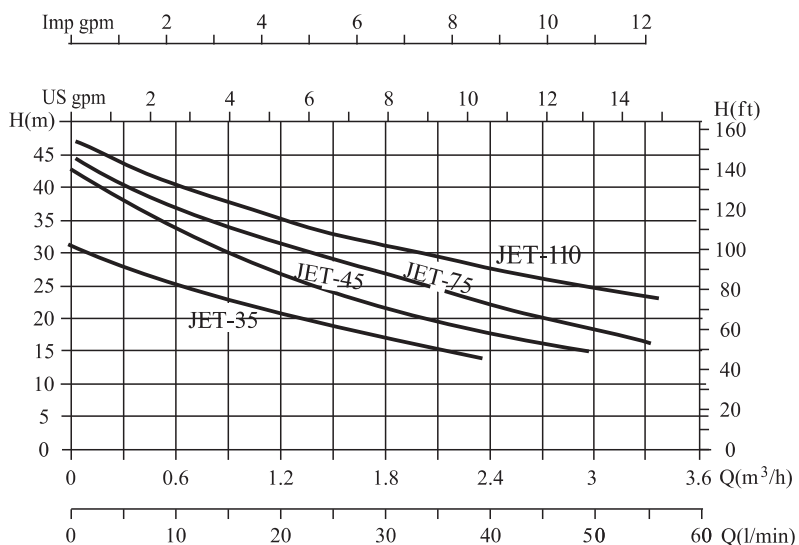
型号含义 Definition of model



性能曲线 Performance curve

技术参数表/ Technical data

最大 Max. suction head	8 m
最高液体温度 Max. liquid temperature	+45°C
最高环境温度 Max. ambient temperature	+40°C
泵壳最大承压 Max. pump casing pressure	0.6 MPa
吸入口连接尺寸 Inlet size	G1
排出口连接尺寸 Outlet size	G1



材料表/ Material table

零件 Parts	泵体 Casing	叶轮 Impeller	泵轴 Shaft	动环 Rotating	静环 Stationary	射流器 Venturi	O形圈 O-Ring	电机壳 Motor house
材料 Materials	304不锈钢 304 SS	304不锈钢 304 SS	304不锈钢 304 SS	陶瓷 Ceramic	石墨 Carbon	聚丙烯+玻璃 纤维PP+GF	丁腈橡胶 NBR	铝合金 Aluminum alloy

性能表/ Performance table

泵型号 Model	配用电机(kW) Driving motor	Q(m ³ /h)	H(m)	吸程 (m)	转速 (r/min)	频率	防护等级
JET-35	0.37	1.5	16	8	2850	50Hz	IP55
JET-45	0.55	2	20	8	2850	50Hz	IP55
JET-75	0.75	2	25	8	2850	50Hz	IP55
JET-110	1.1	3	25	8	2850	50Hz	IP55